

15"- 300W Neodymium Guitar Loudspeaker

NEO 15/150 - 8 Ω

Code ZJ07200

GENERAL CHARACTERISTICS

Nominal Overall Diameter	385	mm
Nominal Voice Coil Diameter	65	mm
Magnet Weight	220	g
Flux Density.....	1.14	T
Weight.....	2.90	Kg

THIELE-SMALL PARAMETERS

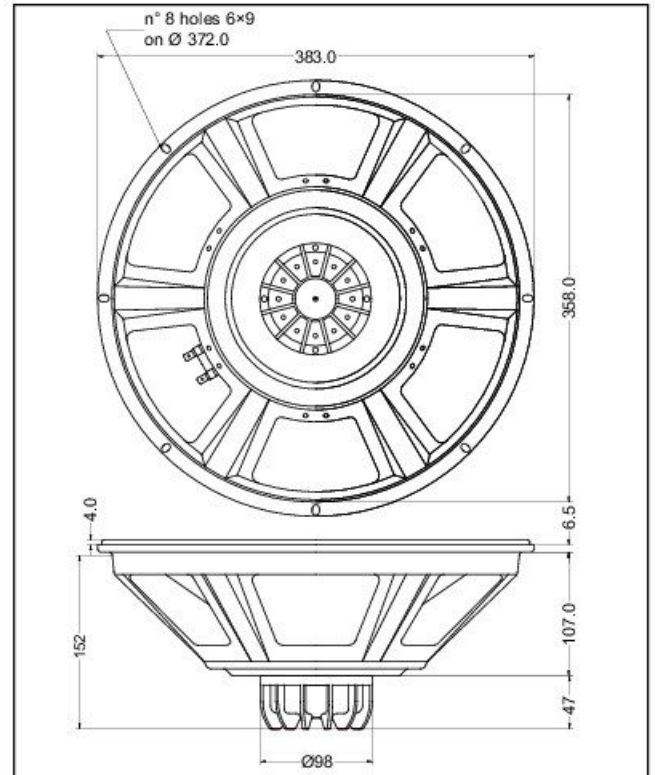
Voice Coil DC Resistance	R_E	5.68	Ω
Resonance Frequency	f_s	74.8	Hz
Mechanical Q Factor.....	Q_{MS}	10.30	
Electrical Q Factor.....	Q_{ES}	0.72	
Total Q Factor	Q_{TS}	0.67	
Mechanical Moving Mass	M_{MS}	55.6	g
Mechanical Compliance.....	C_{MS}	81	μm/N
Force Factor	$B \times l$	14.35	Wb/m
Equivalent Acoustic Volume.....	V_{AS}	65.6	lt.
Maximum Linear Displacement	X_{MAX}	+/-2.0	mm
Reference Efficiency	η_0	3.66	%
Diaphragm Area	S_D	754.7	cm ²
Losses Electrical Resistance.....	R_{ES}	81.1	Ω
Voice Coil Inductance @ 1kHz	L_E	0.68	mH

CONSTRUCTIVE CHARACTERISTICS

Magnet.....	Neodymium
Voice Coil Winding.....	Aluminium
Voice Coil Former.....	Kapton
Cone	Paper
Surround.....	Paper - Integrated
Dust Dome	Non Treated Cloth
Basket	Pressed Sheet Steel

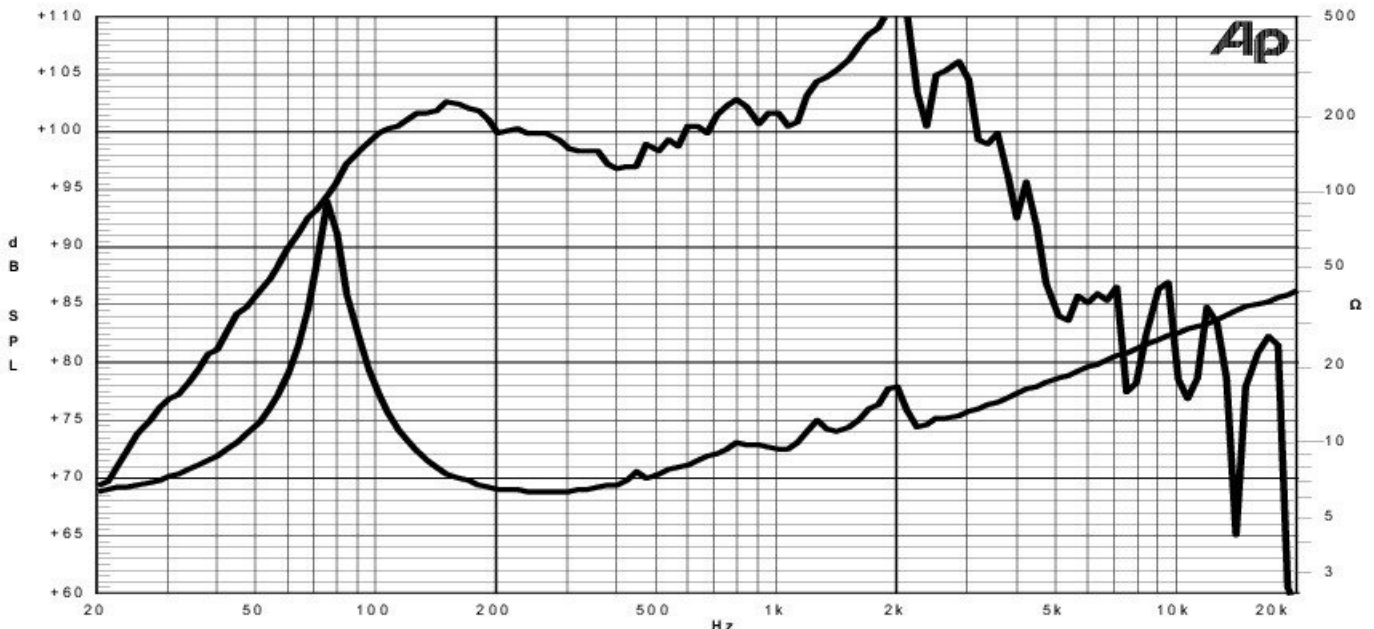
ELECTRICAL CHARACTERISTICS

Nominal Impedance.....	8	Ω
Musical Power	300	W
Rated Power*	150	W
Sensitivity @ 1 W, 1 m	99.3	dB



*rated power measured with 2 hours test with pink noise signal, 6 dB crest factor, loudspeaker mounted on enclosure
Thiele-Small parameters measured with LASER system

Frequency Response on IEC Baffle (DIN 45575) @ 1 W, 1 m - Impedance



Due to continuing product improvement, the features and the design are subject to change without notice.

25/05/07