

**LOWS:**  
**Robust**

**MIDS:**  
**Clear**

**HIGHS:**  
**Detailed**

**OVERDRIVE:**  
**Crunchy**

### Sound Features:

### Guitarist Description:

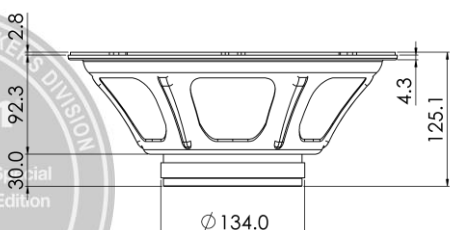
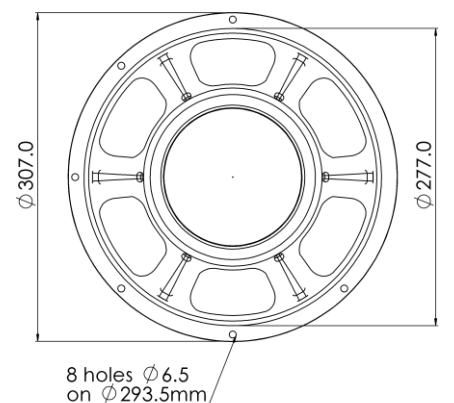
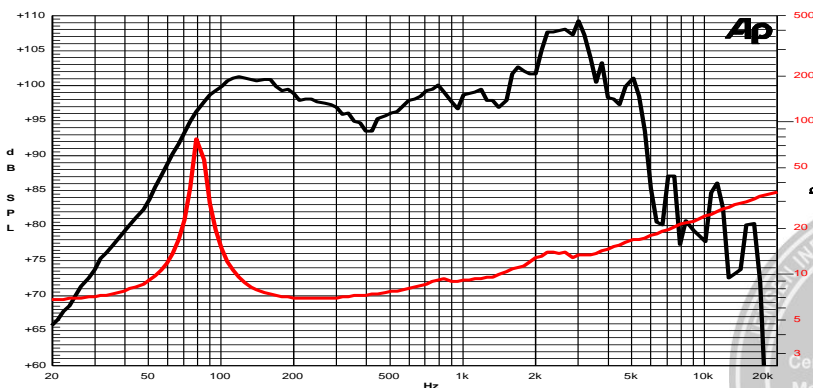
With a voicing inspired from the Blackbird 12/40 tone, the Silverbird 12/70 retains the present, detailed top end, so important for a good clean tone, paired with a clear, expressive midrange. Its robust, warm low end is a solid foundation for an overall balanced, powerful tone also with higher gain applications.



Specifications	
Nominal Diameter	307 mm (12")
Nominal Impedance	8 Ω
Rated Power AES <sup>(1)</sup>	70 W
Continuous Program Power <sup>(2)</sup>	140 W
Sensitivity @ 1W/1m	97.0 dB
Voice Coil Diameter	38 mm
Voice Coil Winding Depth	10 mm
Magnetic Gap Depth	6 mm
Flux Density	1.30 T
Magnet Weight	810 g
Net Weight	3.3 kg

Thiele & Small Parameters <sup>(3)</sup>			
Re	6.00 Ω	Fs	87.0 Hz
Qms	11.79	Mms	28.4 g
Qts	1.03	Bxl	9.09 Tm
Cms	118 μm/N	Sd	490.9 cm <sup>2</sup>
Vas	40.3 l	Le (1kHz)	0.57 mH

Constructive Characteristics	
Magnet	Ferrite
Basket Material	Pressed Sheet Steel
Voice Coil Winding Material	Aluminium
Voice Coil Former Material	Kapton
Cone Material	Paper
Surround Treatment	Yes
Surround Material	Paper - Integrated
Dust Dome Material	Non Treated Cloth



**Note:**

- 1: Rated Power measured with 2 hours test with pink noise signal, 6dB crest factor, loudspeaker mounted on enclosure
- 2: Power on Continuous Program is defined as 3 dB greater than the Rated Power
- 3: Thiele & Small parameters measured with laser system without preconditioning test
- 4: Drawing dimensions: mm
- 5: The notch around 400Hz on the frequency response is typical of the measurement on IEC baffle

