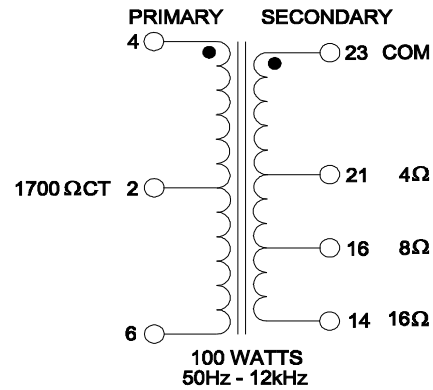


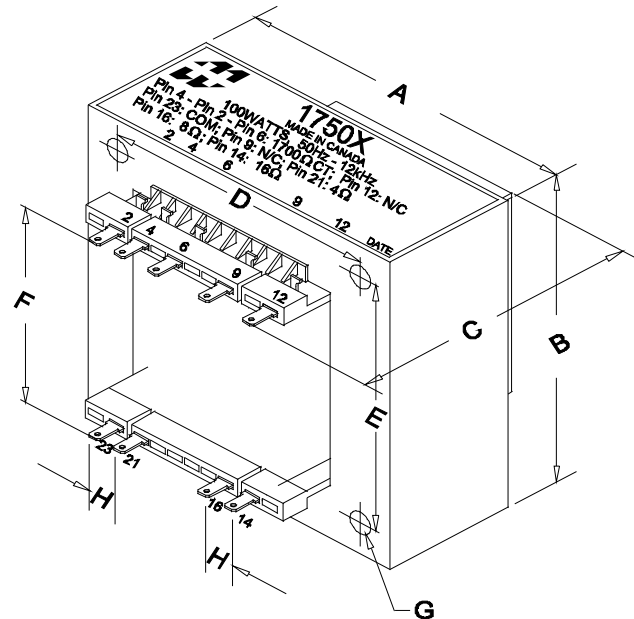
1750X

TUBE GUITAR AMPLIFIER - OUTPUT TRANSFORMER

- Designed for drop in replacement of original units such as Marshall¹ JCM 900 (P-TM91000)
- Constructed to look similar to original factory units (where possible).
- Material used & design specifications were kept as close as possible to the original part to preserve the stock "tone".
- Frequency response 50Hz - 12KHz (0/-1dB reference @ 1KHz)
- Distortion is less than 1% @ 50Hz



ELECTRICAL SPECIFICATIONS	
Characteristics	Typical
Input Impedance	1700 Ohms
Output Impedance	4, 8 & 16 Ohms
Output Power	100 W
DCR	
PIN#4-2	16.58Ohms
PIN#2-6	16.04Ohms
PIN#4-6	32.58Ohms
PIN#23-21	0.130Ohm
PIN#23-16	0.170Ohm
PIN#23-14	0.230Ohm
Inductance	Impedance
@ 60Hz, 10 V OC	
PIN#4-6	14.54H 5.61K Ohm
Leakage Inductance	
@ 60Hz, 10 V SC	
Primary Blue-Red	2.66 mH
Dielectric Strength	2500VRMS
Temperature Range	-40 to 105 degC



Dimensions		
A	3.750" ±0.063	D 3.125" ±0.063
B	3.125" ±0.063	E 2.500" ±0.063
C	4.010" ±0.125	F 2.268" ±0.063
		G 0.219" ±0.015
		H 0.394" ±0.031

TEST CONDITIONS

Measurement instruments:

D scope series iii audio analyzer
Wayne Kerr 3255B with a 3265B

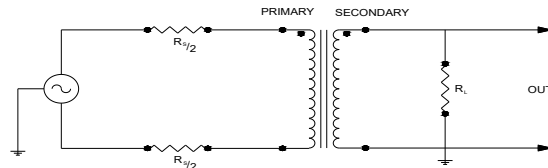
Keithley 2010 DVM

Hp4192a impedance analyzer

* All graphs input level 27dBu @1.0KHz reference.

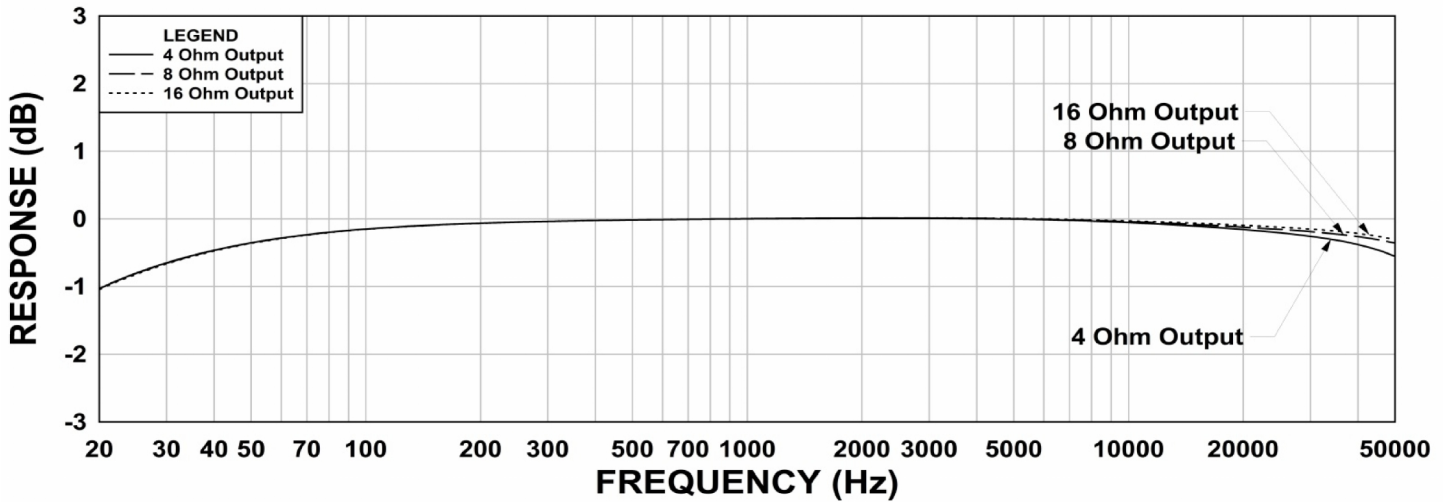
**The results are typical and are subject to normal manufacturing and electrical tolerances.

TYPICAL TEST CIRCUIT

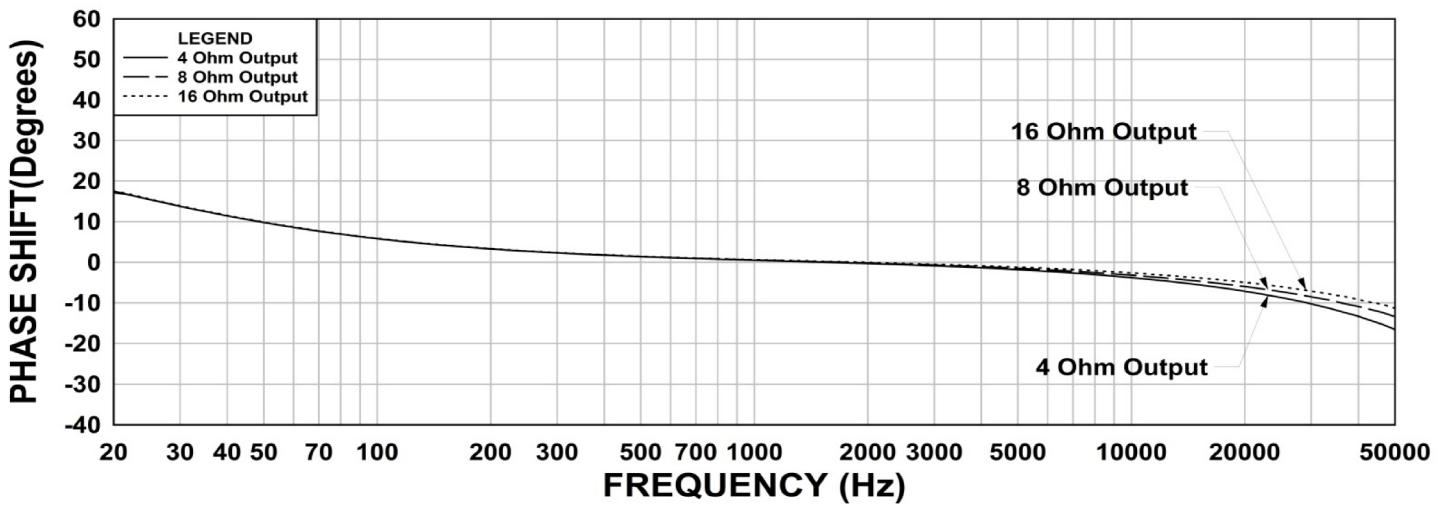


¹DISCLAIMER: Hammond Mfg. is not affiliated with Fender Musical Instruments Corp., Marshall Amplification, Yorkville/Traynor, AMPEG or VOX Amplification companies. Amplifier model names are trademarks of the amplifier companies and are just listed here for reference purpose only.

1750X Frequency Response RS = 1700 Ohms



1750X Phase Shift RS = 1700 Ohms



1750X THD+N RS = 1700 Ohms

