

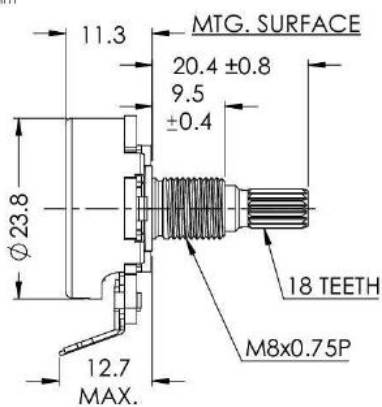
## CTS Dimple Potentiometer split/knurled shaft, 18 Teeth 9.5mm bushing, M8 Linear Taper (lin): B500K

refers to part number: CTS-MD-B500K-MK

### Specifications

angle of rotation:	300° +/- 5°
rating:	1/4W@55°C
taper:	linear
insulation:	500V DC
rotational life test:	10,000 cycles
shaft material:	brass
terminal board:	bakelite with flame UL 94V2

UNIT : mm



SLOT LOCATION RANDOM

