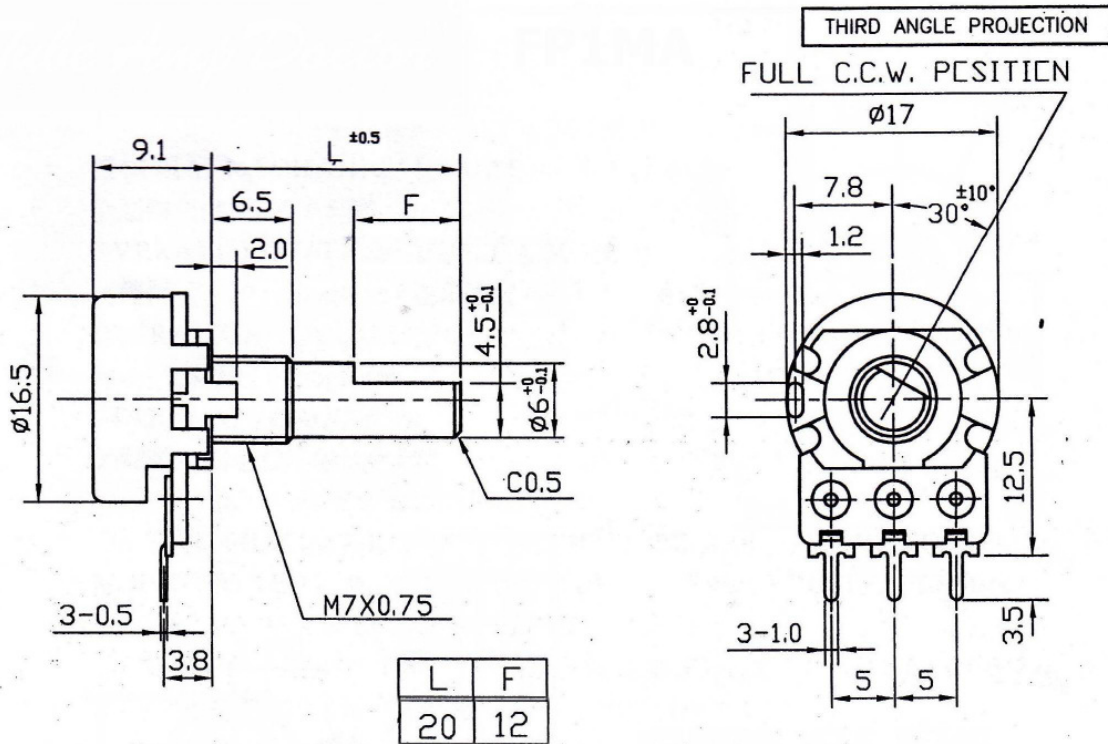
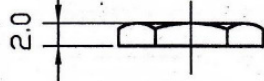
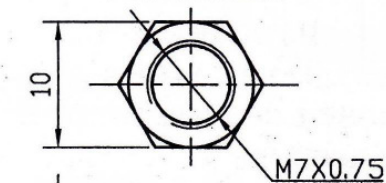


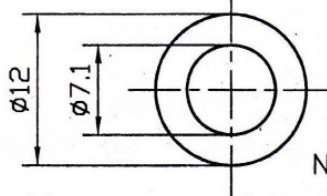
FP250KA



NUT 1 PC



WASHER 1 PC t=0.4



NOTE:

BUSHING MATERIAL IS ZINC ALLOY DIECASTING.

MCUNTING HOLE DETAIL
(VIEWPOINT OF SHAFT)

