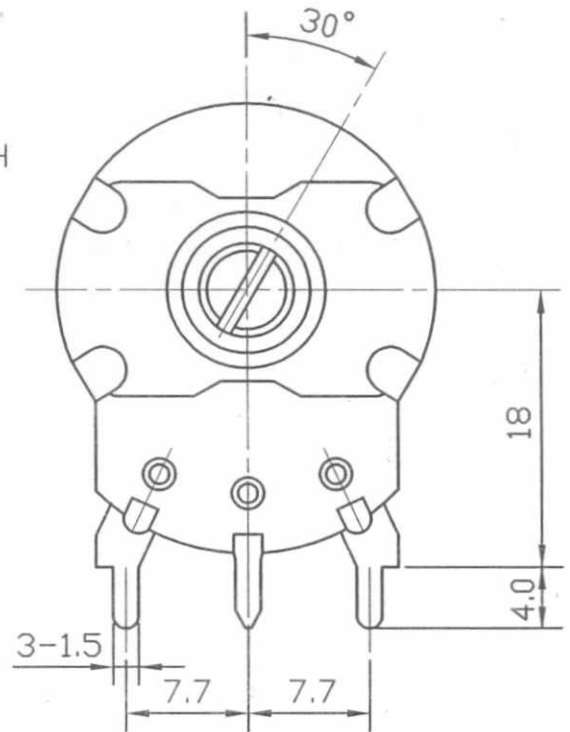
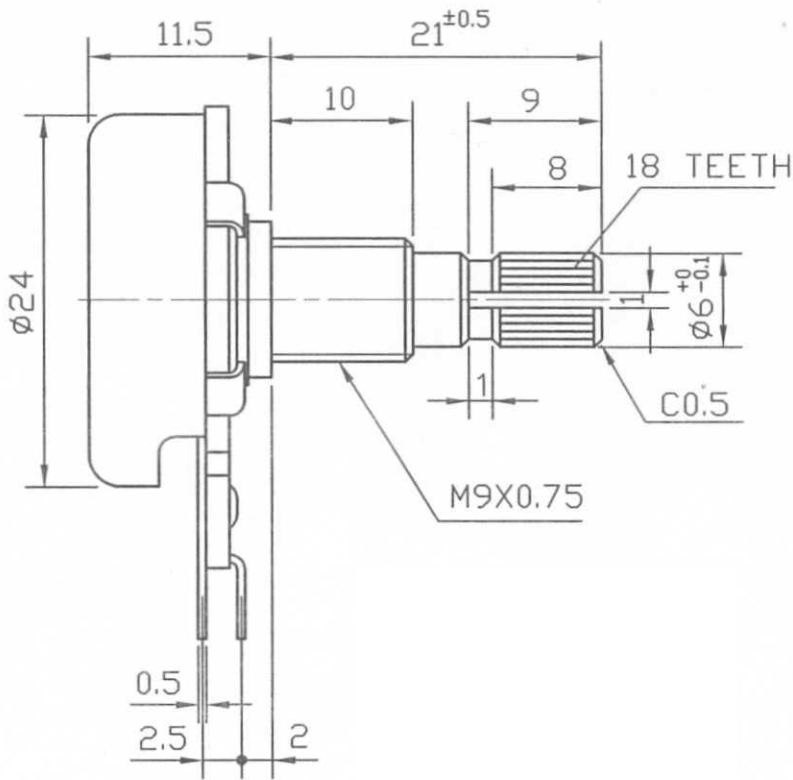
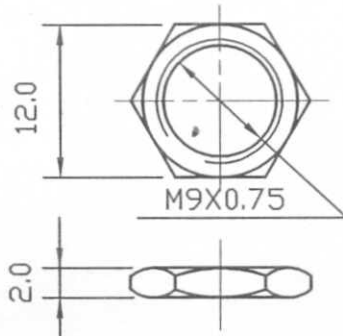


SHAFT SHOWN IN  
FULL C.C.W. POSITION

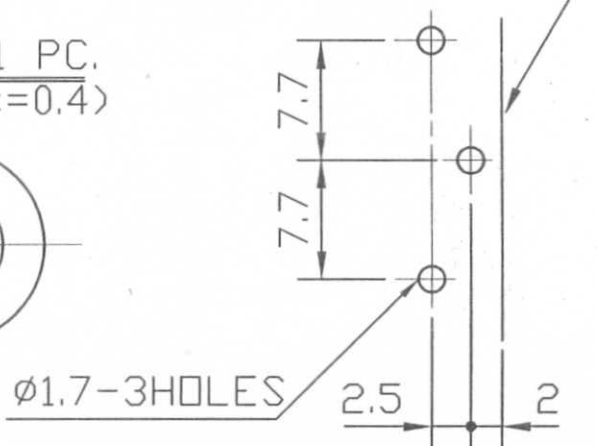
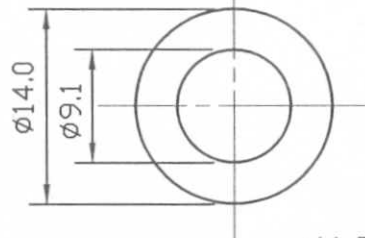


MOUNTING SURFACE

NUT 2 PCS.



WASHER 1 PC.  
(t=0.4)



P.C.B. MOUNTING DETAIL  
(VIEWED FROM MOUNTING SIDE)