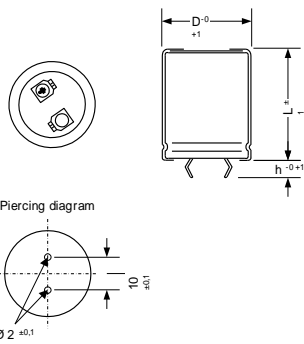


Tube Amp Doctor GmbH
 Weinbrennerstr. 1
 67551 Worms / Germany
 Tel. +49 (0) 6247 904090
 Fax. +49 (0) 6247 9040928
 info@tubeampdoctor.com

created: hs 13/01/2015 16:20:00

Typ : MECAP47-550

RoHS Compliant



∅ D : 25 mm
 L : 35 mm
 h : 6,3 mm

Insulation : PVC
 2500 Vac
 Terminals : Snap In

Electrical Parameters

Rated Capacitance (C _R) @ 100 Hz / 20 °C	47 μF	
Tolerance	-10 +30 %	
Rated Voltage (U _R)	550 V	
Surge Voltage (U _S) max. 5 x 1 min / h	600 V	
Reverse Voltage (U _U) max. 1 s	2 V	
Leakage Current (I _L) @ U _R / 5 min / 20 °C	156 μA	
ESR typ. @ 100 Hz / 20°C	3725 mΩ	
Tan δ typ. @ 100 Hz / 20°C	11 %	
Z max. @ 10 kHz / 20°C	2980 mΩ	
ESL typ.	20 nH	
Rated Ripple Current (I _R) @ 100 Hz / 85 °C	0,23 A	
Useful life @ I _R , U _R , 85 °C	5000 h	
IEC Climatic category / Standards	40/085/56	IEC 60384-4
Applications	Industrial electronic	
Your article No. / Project		