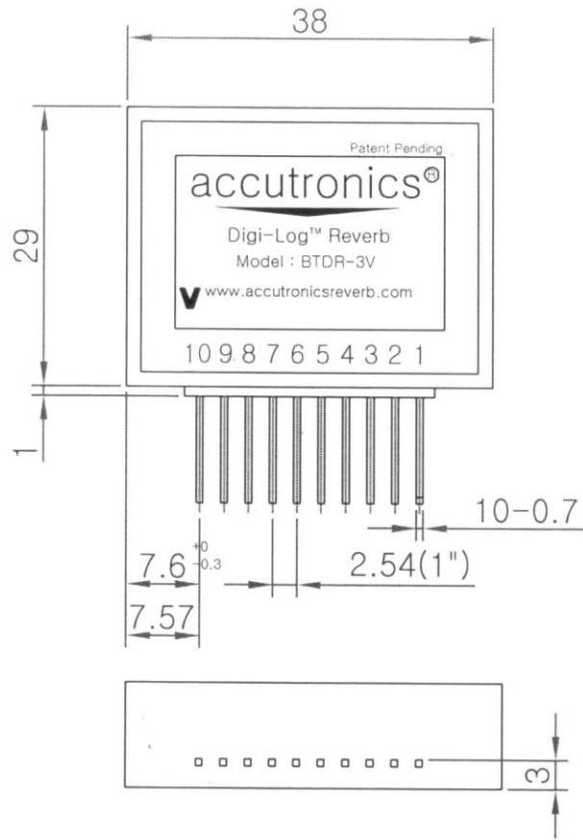


CUSTOMER : TAD

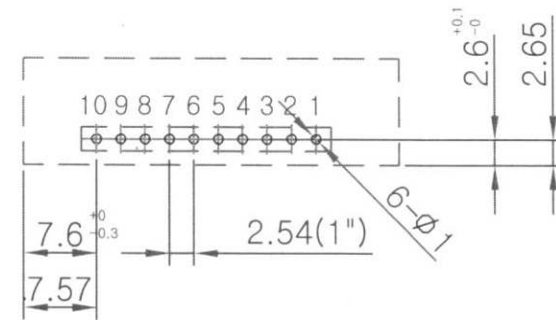
CUSTOMER'S:
DWG.NO

SAMPLE NO.:

DATE : 2014 .01. 21



PCB Layout

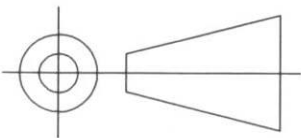


MODEL : BTDR-3V

TOLERANCE

DRAWN

ACCESSORIES LIST



SCALE:

UNIT: mm

UNDER TO 10 : ±0.5

OVER 10 TO 100 : ±

OVER 100 : ±

DESIGNED

CHECKED

APPROVED

H.PARK

M.S.KIM

C.H.PARK

No.

DESCRIPTION

SPEC

Q'TY

1

2

3

4

ACCUTRONICS
& BELTON

www.tubeampdoctor.com

EFX-BTDR-3V