

**LOWS:**  
Warm

**MIDS:**  
Detailed

**HIGHS:**  
Open

**OVERDRIVE:**  
Crunchy

### Sound Features:

### Guitarist Description:

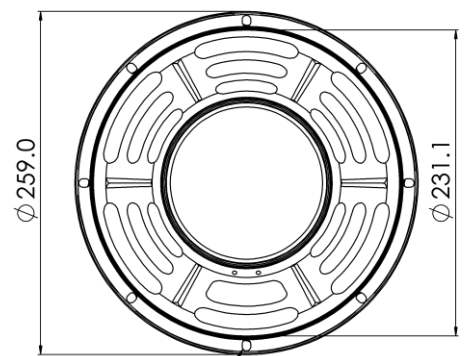
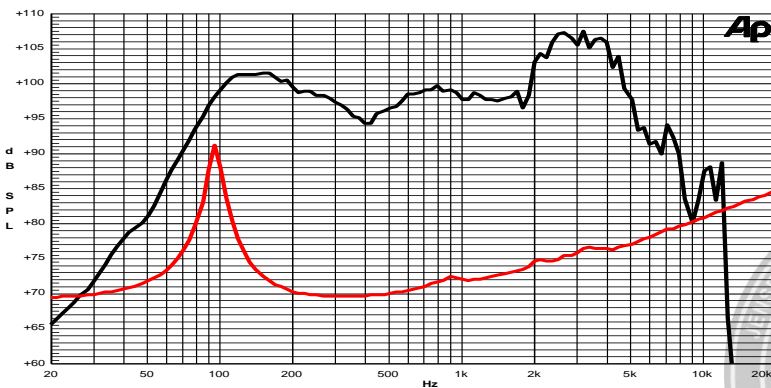
Directly inspired from the Blackbird 10/40 tone, the Silverbird 10/50 is a superbly balanced speaker. Powerful bass range, tight enough for the higher gain applications, yet warm and full. Highly versatile, it fits nicely in a wide range of musical genres with its open and detailed vintage inspired tone.



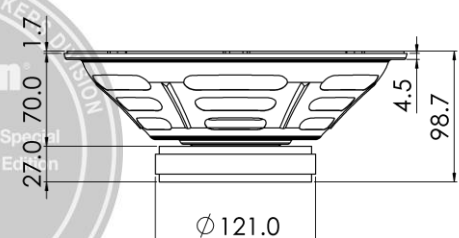
Specifications	
Nominal Diameter	259 mm (10")
Nominal Impedance	8 Ω
Rated Power AES <sup>(1)</sup>	50 W
Continuous Program Power <sup>(2)</sup>	100 W
Sensitivity @ 1W/1m	96.5 dB
Voice Coil Diameter	38 mm
Voice Coil Winding Depth	10 mm
Magnetic Gap Depth	6 mm
Flux Density	1.20 T
Magnet Weight	640 g
Net Weight	2.2 kg

Thiele & Small Parameters <sup>(3)</sup>			
Re	6.00 Ω	Fs	94.0 Hz
Qms	11.88	Mms	17.9 g
Qts	0.90	Bxl	8.10 Tm
Cms	159 μm/N	Sd	330.1 cm <sup>2</sup>
Vas	24.6 l	Le (1kHz)	0.48 mH

Constructive Characteristics	
Magnet	Ferrite
Basket Material	Pressed Sheet Steel
Voice Coil Winding Material	Aluminium
Voice Coil Former Material	Kapton
Cone Material	Paper
Surround Treatment	Yes
Surround Material	Paper - Integrated
Dust Dome Material	Non Treated Cloth



8 holes 8.4x6.5  
on Ø245mm



- Note:
- 1: Rated Power measured with 2 hours test with pink noise signal, 6dB crest factor, loudspeaker mounted on enclosure
  - 2: Power on Continuous Program is defined as 3 dB greater than the Rated Power
  - 3: Thiele & Small parameters measured with laser system without preconditioning test
  - 4: Drawing dimensions: mm
  - 5: The notch around 400Hz on the frequency response is typical of the measurement on IEC baffle