

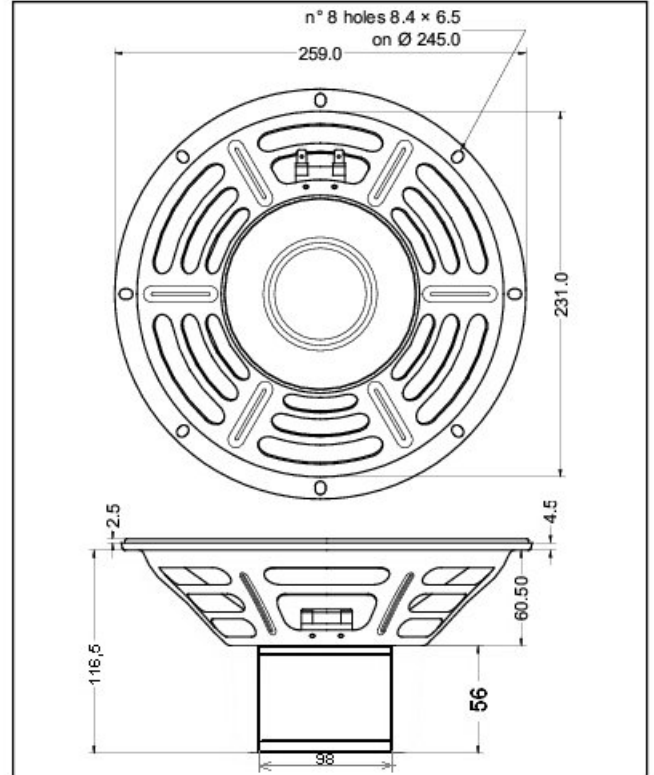
10" - 200W AlNiCo Guitar Loudspeaker JP10/100 - 8 Ω Dimensions with removed Bell

GENERAL CHARACTERISTICS		
Nominal Overall Diameter	307	mm
Nominal Voice Coil Diameter	50	mm
Magnet Weight	826	g
Flux Density.....	1.00	T
Weight.....	3.00	Kg

THIELE-SMALL PARAMETERS			
Voice Coil DC Resistance	R_E	5.97	Ω
Resonance Frequency	f_s	112.1	Hz
Mechanical Q Factor.....	Q_{MS}	14.73	
Electrical Q Factor.....	Q_{ES}	0.85	
Total Q Factor	Q_{TS}	0.80	
Mechanical Moving Mass	M_{MS}	22.0	g
Mechanical Compliance.....	C_{MS}	90	μm/N
Force Factor	$B \times l$	10.45	Wb/m
Equivalent Acoustic Volume.....	V_{AS}	14.1	lt.
Maximum Linear Displacement	X_{MAX}	+/-1.0	mm
Reference Efficiency	η_0	2.26	%
Diaphragm Area	S_D	330.0	cm ²
Losses Electrical Resistance.....	R_{ES}	103.9	Ω
Voice Coil Inductance @ 1kHz	L_E	0.79	mH

CONSTRUCTIVE CHARACTERISTICS	
Magnet.....	AlNiCo
Voice Coil Winding.....	Aluminium
Voice Coil Former.....	Kapton
Cone	Paper
Surround.....	Paper - Integrated
Dust Dome	Non Treated Cloth
Basket	Pressed Sheet Steel

ELECTRICAL CHARACTERISTICS	
Nominal Impedance.....	8 Ω
Musical Power	200 W
Rated Power*	100 W
Sensitivity @ 1 W, 1 m	97.0 dB



*rated power measured with 2 hours test with pink noise signal, 6 dB crest factor, loudspeaker mounted on enclosure
Thiele-Small parameters measured with LASER system

Frequency Response on IEC Baffle (DIN 45575) @ 1 W, 1 m - Impedance

